

# Thea by Fibre ⚡ood

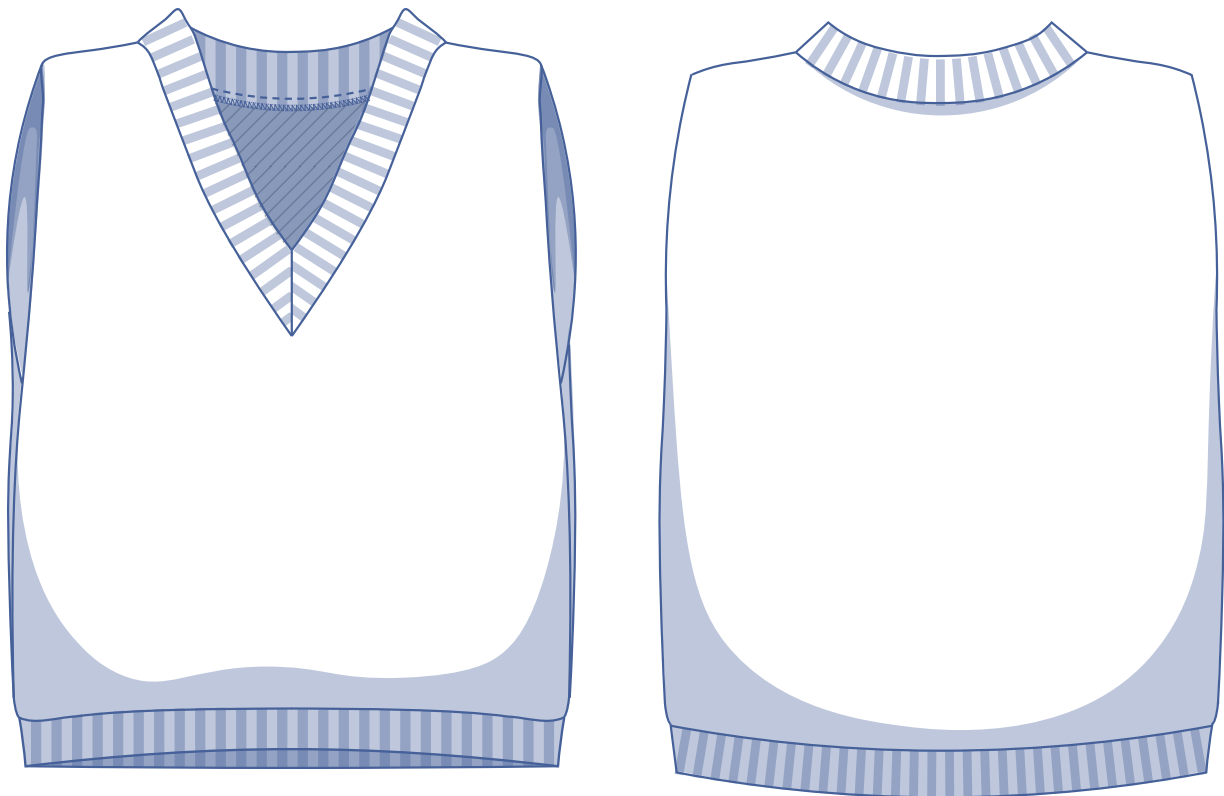


# Thea by Fibre ood



**XS - XXXL**

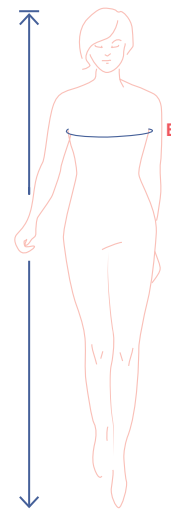
Shoulder pads give this sleeveless jumper a super fun twist. This basic isn't tied to the seasons and is a snap to make. We added ribbed trim to the deep V-neck binding and hem band. You could also just use your main fabric, as long as it's stretchy enough. Want to twin with your child? Thea and Jules are a treat together.



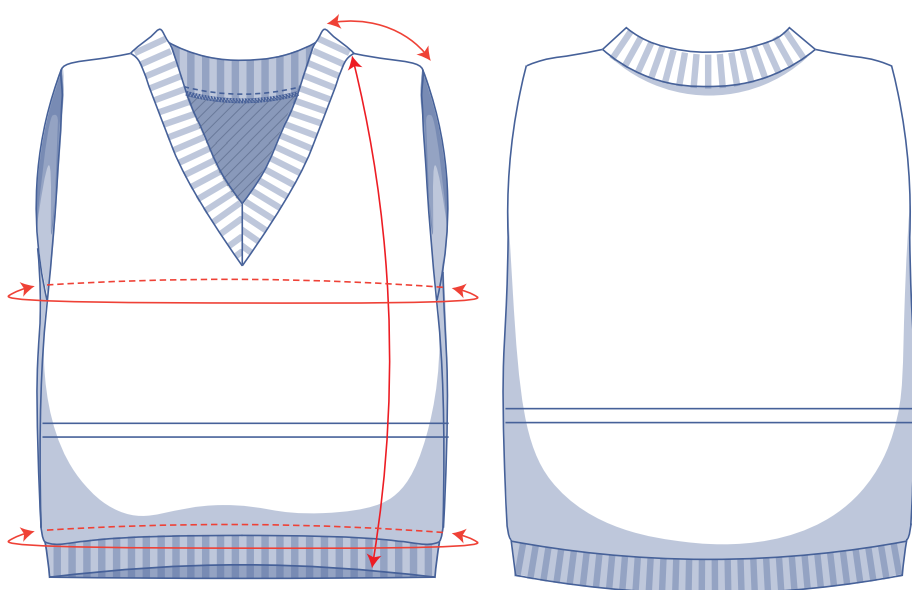
## size chart (in cm)

size	XS		S		M		L		XL		XXL		XXXL		
	4	6	8	10	12	14	16	18	20	22	24	26	28	30	32
body height	160	164	166	167	168	169	170	171	172	172	172	172	172	172	172
B (bust)	76	80	84	88	92	96	100	104	110	116	122	128	134	140	146

Choose your size based on your **bust measurement**. Pick the size that is the best match for your bust.



## pattern measurements (in cm)



This chart's measurements are the pattern measurements based on the fabric type and serve as a reference. Ease has been added to the width measurements (in addition to the exact body measurements) for a more comfortable fit. Thea is designed to have a **comfy** fit.

Are you into oversized? Feel free to go a size larger.

==== shorten or lengthen the pattern here

size	XS	S	M	L	XL	XXL	XXXL
length*	60	61.75	63.5	65.25	67.5	70	72.25
shoulder length**	12	12.75	13.5	14.25	15.5	16.25	17
bust	96.5	104.5	112.5	120.5	130.5	142.5	154.5
hem circumference***	88.5	96.5	104.5	112.5	122.5	134.5	146.5

\* Including hem band.

\*\* Including neck binding.

\*\*\* Measured above the hem band.

Compare the stated lengths to the measured or desired lengths. **Lengthen** or **shorten** the top by cutting the pattern pieces at the indicated double lines. Then either increase the distance between the cut pieces by the desired amount (to lengthen), or overlap the pieces (to shorten). Make sure that the CF and CB lines and the side seams are always straight.



### IMPORTANT

Adjust the amount of fabric to be used based on these alterations.

## notions



- Thread
- Shoulder pads: 1.2 cm thick and 10 cm long
- Trim fabric (width 35 cm): max. 50 cm
- Fabric: see table

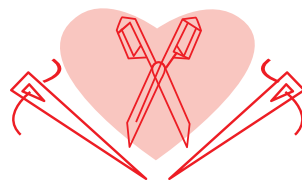
fabric		XS	S	M	L	XL	XXL	XXXL
fabric width 110 cm	cm	125	125	130	135	140	145	145
fabric width 140 cm	cm	65	65	65	135	140	145	145

The corresponding fabric layout can be found on page 6 of these sewing instructions.

**fabric advice** For an ultra trendy look, make Thea in a chunky knit fabric. But naturally, all kinds of other knits will also work well, e.g. French terry, sweatshirt fabric, ribbed knit, knit jacquard, and more. The neck and hem bands should be cut from (ribbed) trim fabric.



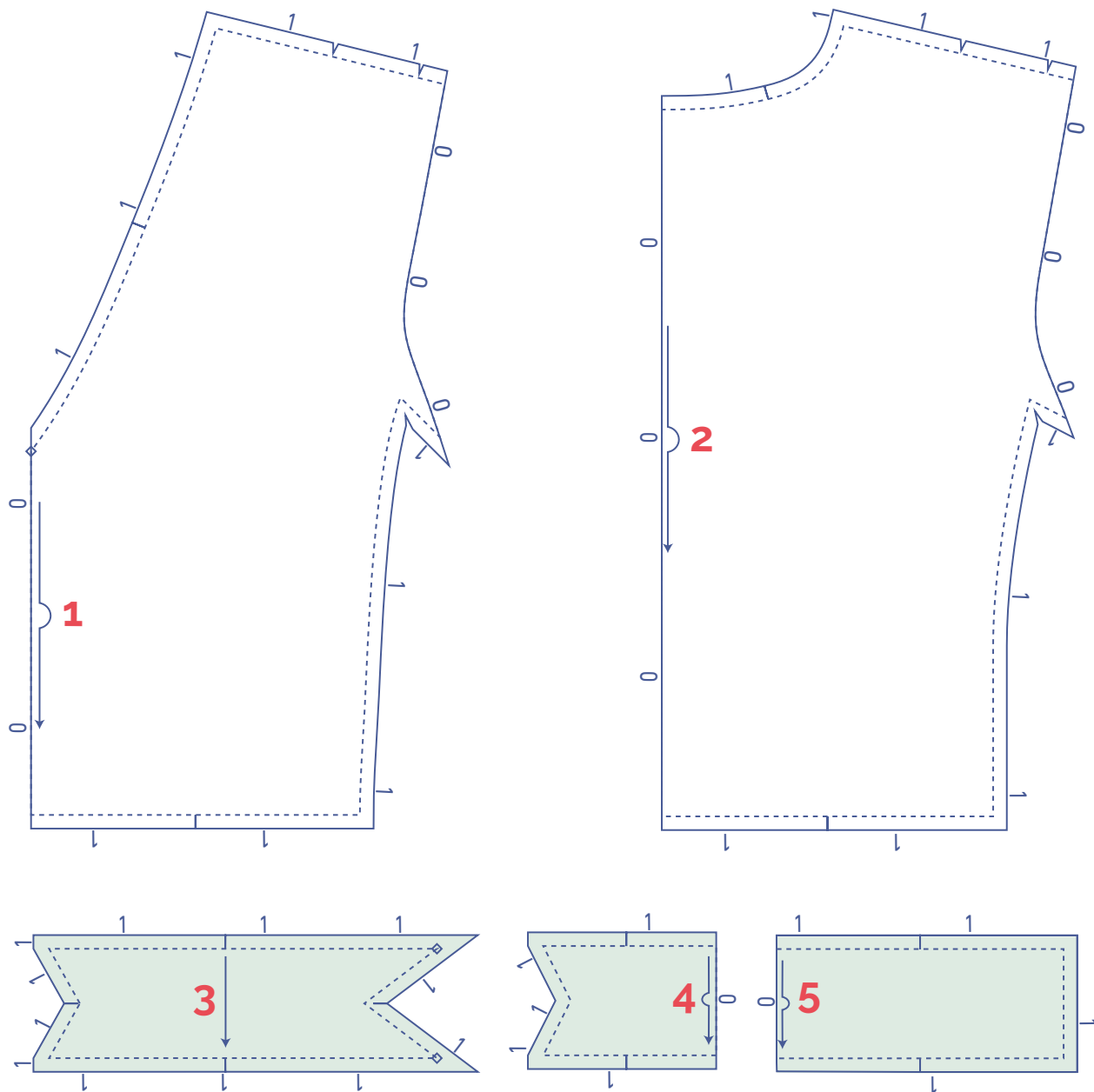
# Proud to be #Sewista






## pattern pieces & seam allowances (in cm)

To sew the garment as described in the instructions, draw the illustrated seam allowances around the paper pattern pieces before cutting them out. If you are using a PDF pattern, the pattern can be printed with or without seam allowance. To find out more, watch the [video](#).

1. front: 1x on fabric fold
2. back: 1x on fabric fold
3. neck binding front: 2x
4. neck binding back: 1x on fabric fold
5. hem band: 2x on fabric fold



	material type
	fabric
	trim fabric

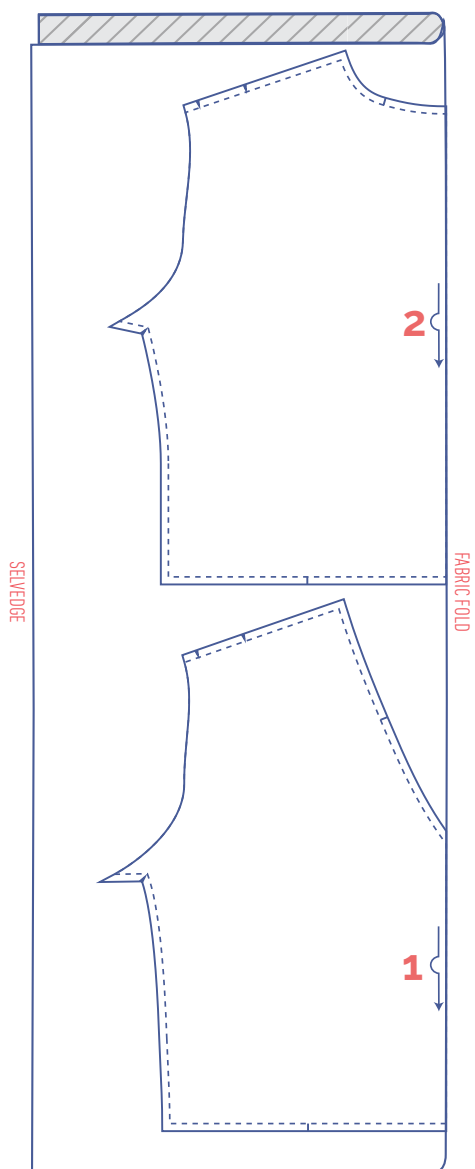
### TIP

If your fabric has enough stretch, you can cut the neck binding and hem band from the same fabric instead of using trim fabric (= ribbing).

# fabric layout – solid fabrics

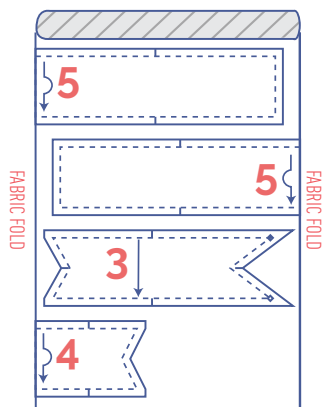
## fabric width 110 cm

XS - XXXL



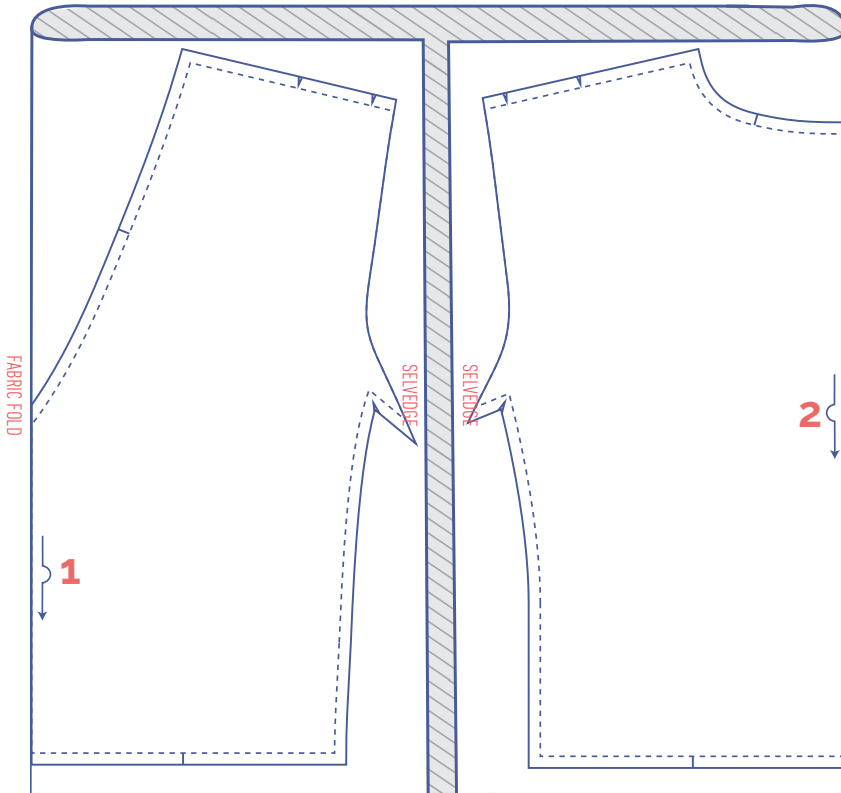
## trim fabric layout

XS - XXXL

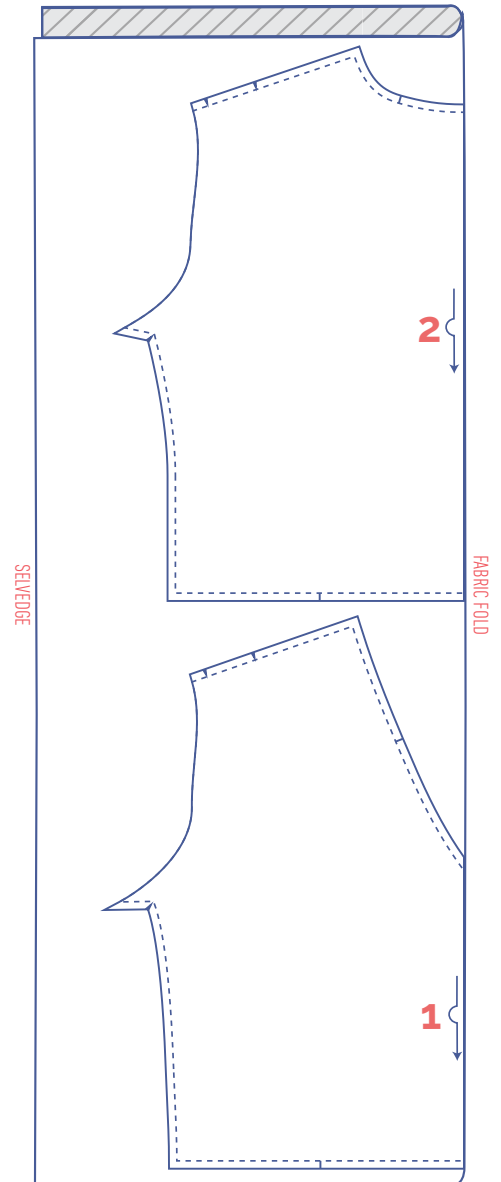


**fabric layout – solid fabrics**  
**fabric width 140 cm**

XS - M

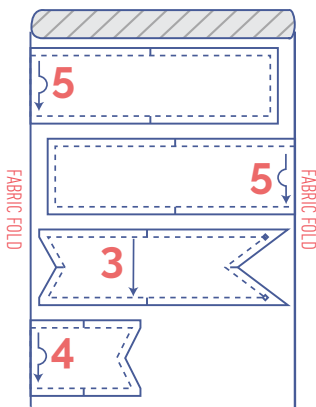


L - XXXL



**trim fabric layout**

XS - XXXL



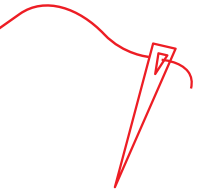
**marking pattern pieces**

	Notch the pattern paper and fabric at the following points		Mark the following points using marking thread
	single notch		centre point
V	V notch		

# sewing instructions



The method used to finish the seams depends on the fabric used.  
The pieces are always sewn together with the right sides of the fabric facing, unless stated otherwise.



F front

B back

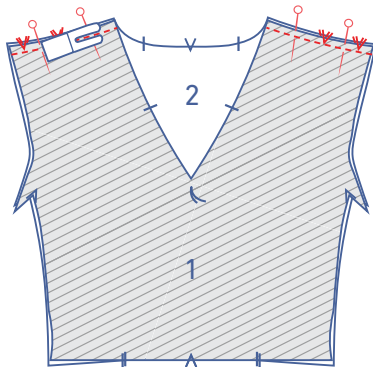
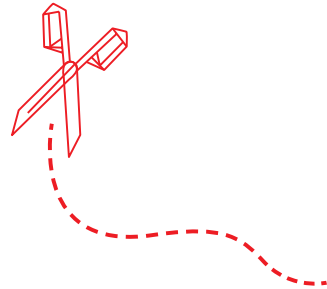
CF centre front

CB centre back

 right side

 wrong side

 trim fabric

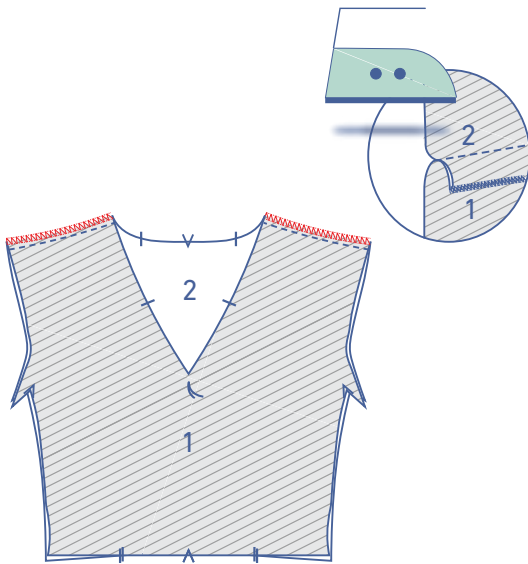


**1**

Pin and sew the shoulder seams of the front (1) and back (2) together.

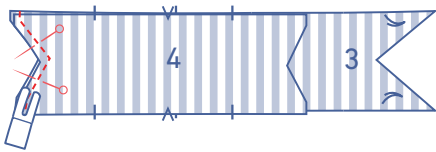


Finish the raw edges and press the seam allowance towards the front.

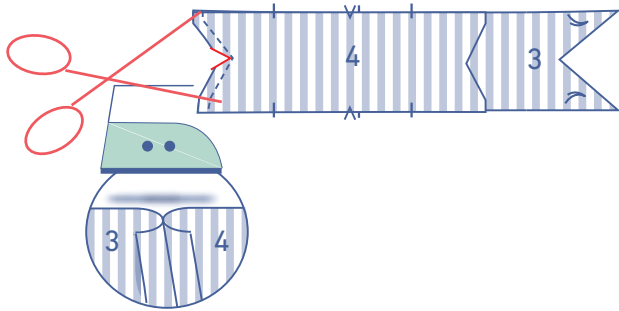


## 2

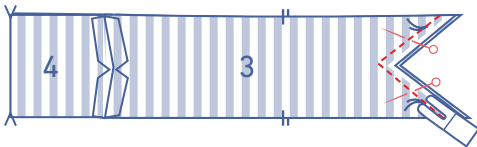
Pin and sew the shoulder seams (short ends) of the neck binding front (3) and back (4) together, parallel to the raw edge.



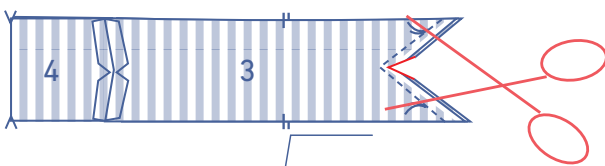
Snip into the seam allowance where indicated. Press the seam allowance open.



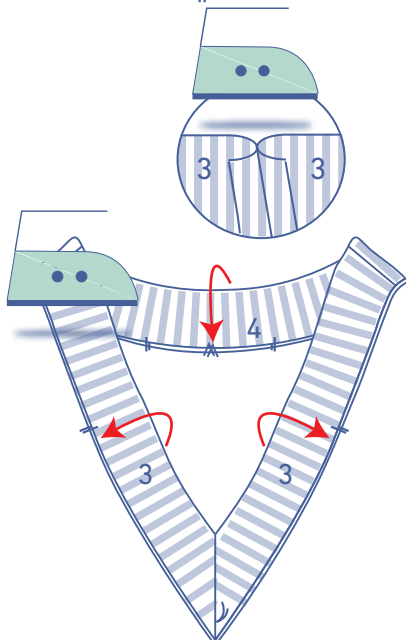
Pin and sew the CF seam parallel to the raw edge (here you are sewing together piece 3 to piece 3).

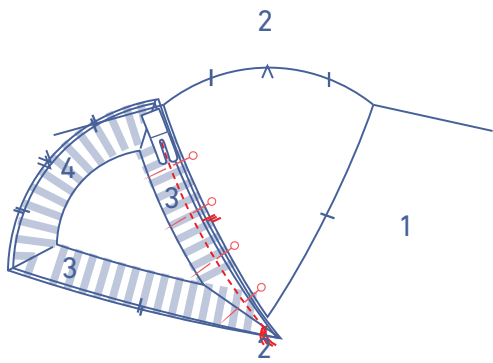


Snip into the seam allowance at the tip of the notch. Press the seam allowance open.

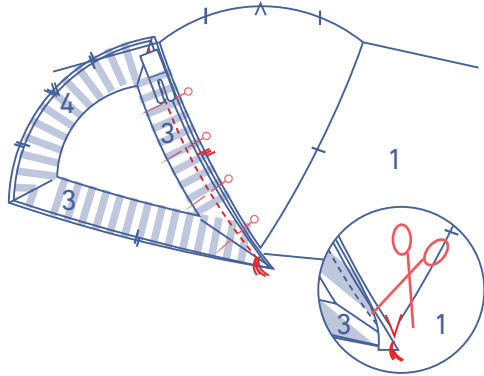


Press the neck binding in half with the long ends together and the wrong sides of the fabric facing.

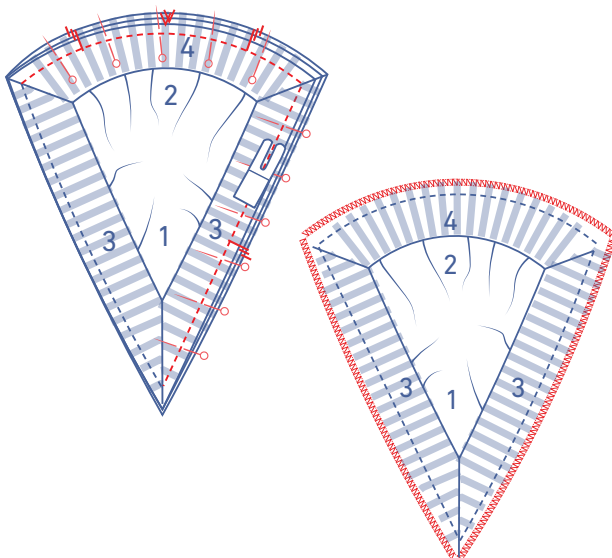




Pin and sew both raw edges of the neck binding to the neckline, matching the notches. The shoulder seams of the neck binding and front and back should match. The circumference of the neck binding is smaller than the neckline, so make sure to pin at all the notch points and stretch out the binding as you sew. Sew the neck binding up to the marking thread on the front and leave the needle in the fabric there.

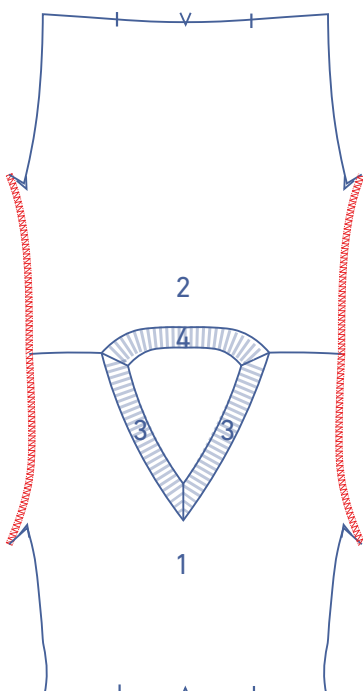


Raise the presser foot, fold the seam allowance of the neck binding over, and snip into the seam allowance of the front, to just before the marking thread. Turn the garment and lower the presser foot back down.



Pin and sew the rest of the neck binding into place.

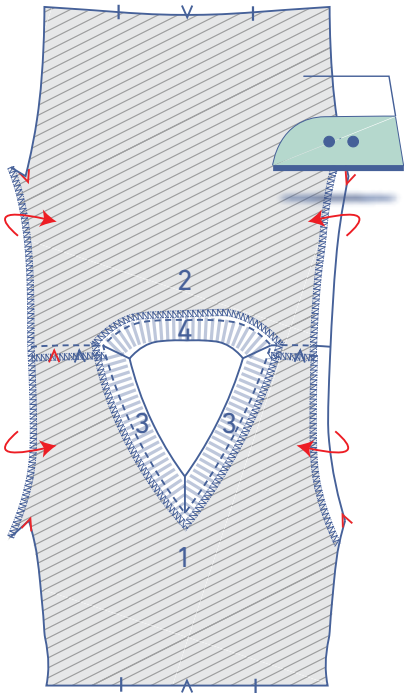
Finish the raw edges with overlock stitching.



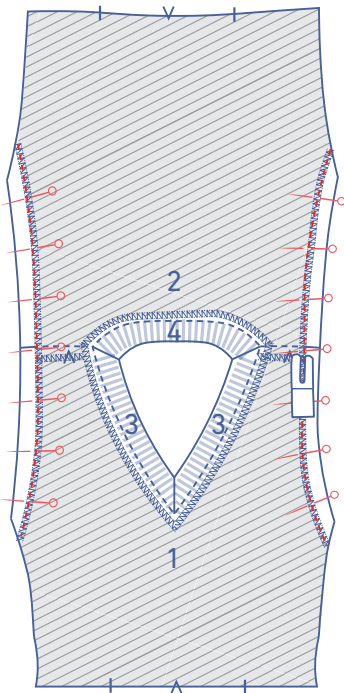
### 3

Finish the armholes with overlock stitching.

Fold the seam allowances over at the V notches.

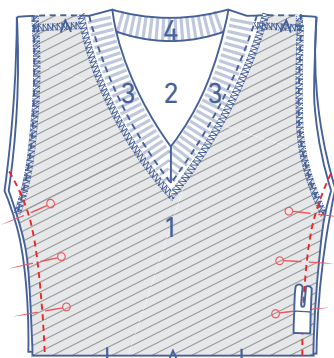


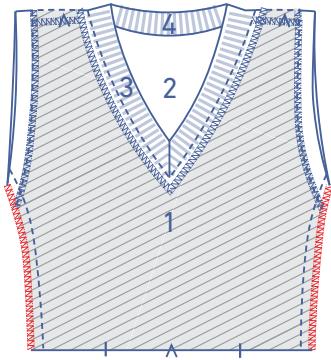
Pin and sew the seam allowance into place.



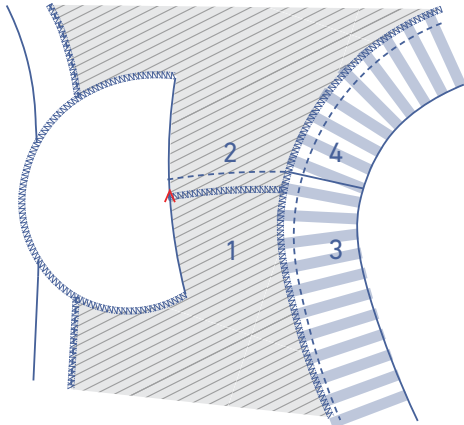
**4**

Pin and sew the side seams together.



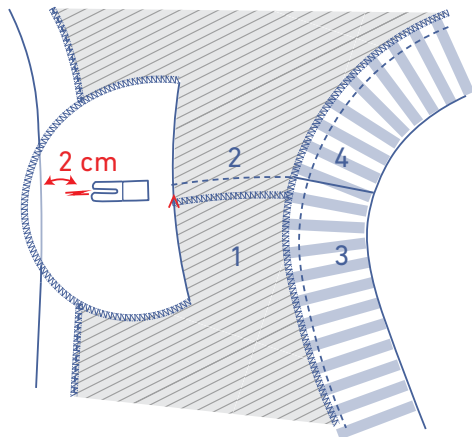


Finish the raw edges with overlock stitching.

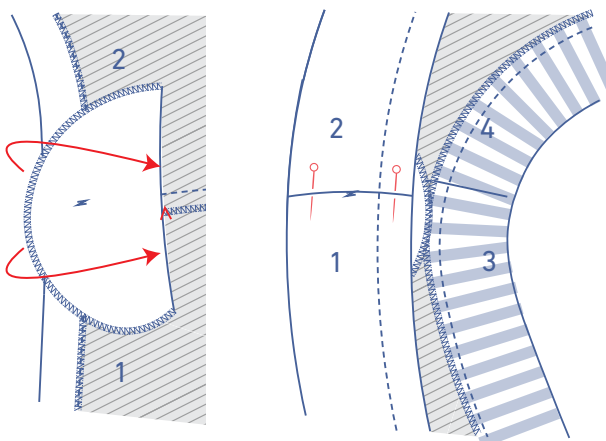


## 5

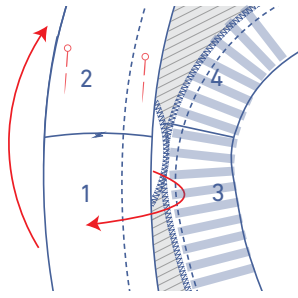
Match the straight end of the shoulder pad (at around the halfway point) to the V notch in the wrong side of the garment where indicated.



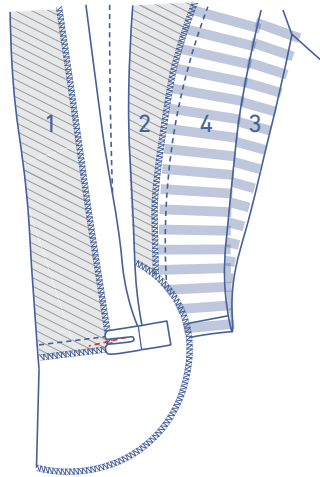
Sew the shoulder pad into place where indicated with a few stitches. Be sure to sew through all layers (i.e. shoulder pad + garment).



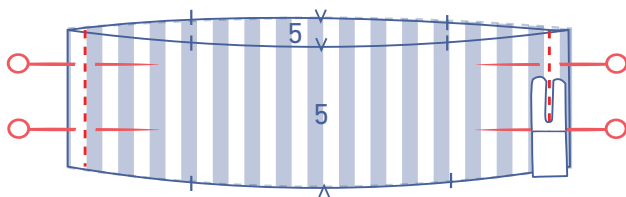
Fold over the shoulder pad and marked section of the bodice towards the wrong side at the V notch.



Fold the garment over so that you can easily access the seam allowance of the shoulder and shoulder pad between the two layers of fabric.

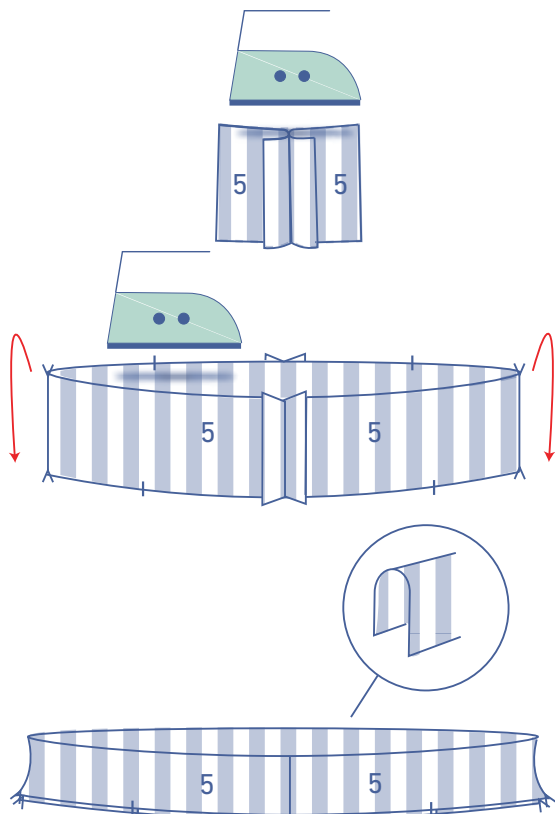


Sew the shoulder seam allowance to the shoulder pads with a short line of stitching.

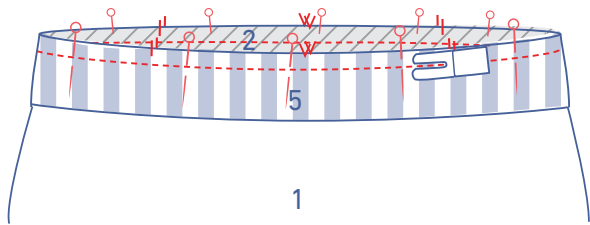


**6**

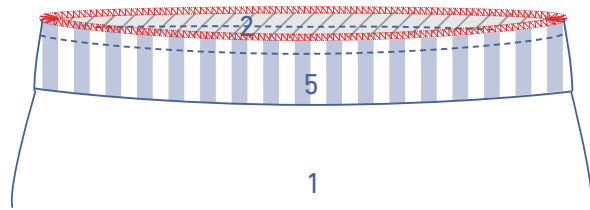
Pin and sew the side seams of the hem bands (5) together and press the seam allowances open.



Press the hem band in half with the long ends together and the wrong sides of the fabric facing.



Slide the hem band over the bottom of the top so that all raw edges are aligned, making sure the seams and markings match. Sew the hem band to the bodice. The circumference of the hem band is smaller than the circumference of the garment so stretch out the hem band as you sew.



Finish the raw edges with overlock stitching.